



CHE-3I(A)

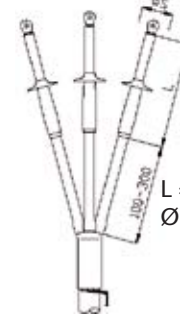
Three-core indoor termination

for all 3-core polymeric cables

Type CHE-3I(A) terminations are suitable for all three-core plastic-insulated cables (PVC, PE, XLPE, EPR) with different types of semi-conducting layers (graphite-coated or strippable) and screening (copper wire or tape).



Dimensions



L = Length
Ø S = Diameter of cable shed

Characteristics

- Flexible silicone stress control elements ensure reliable stress control under all operating conditions
- Combination of slip-on and heat-shrink components
- Wide cross-section range
- Quick, safe and easy assembly
- Ready for immediate operation

Application

- Indoor
- Note**
- Cable lugs not included
- 12 kV terminations must be used for 7.2 kV cables (Check minimum diameter over conductor insulation).

Storage conditions/Shelf life

- Unlimited shelf life

Scope of delivery

- Tracking-resistant heat-shrink tubing
- Heat-shrink tube
- Silicone stress-control elements
- Silicone sheds
- Pressure spring
- Silicone stress control element
- Assembly accessories
- Sealing tape
- Assembly instructions

Tests

- CENELEC HD 629.1 (DIN VDE 0278, part 629-1)

Type	L mm	min. Ø over conductor insulation after removal of outer semi-conducting layer mm	Number of sheds per phase	Ø S mm	Nominal cross section mm ²				Art.-No.
					12kV	17.5kV	24kV	36kV	
U₀/U (U_m) 6/10 (12)kV - 6.35/11 (12)kV									
CHE-3I(A) 12kV	10-25	300	9.9		10 - 25				146228
	25-95	300	12.6		25 - 95				146216
	95-240	300	17.3		95 - 240				146217
	150-400	300	19.9		150 - 400				146218
U₀/U (U_m) 8.7/15 (17.5)kV									
CHE-3I(A) 17kV	16-50	300	12.6	1	85		16 - 50		195365
	70-240	300	17.3	1	85		70 - 240		171761
	150-300	300	19.9	1	85		150 - 300		171762
	185-400	300	23.1	1	85		185 - 400		171763
U₀/U (U_m) 12/20 (24)kV - 12.7/22 (24)kV									
CHE-3I(A) 24kV	10-35	300	12.6	1	85		10 - 35		146300
	25-95	300	17.3	1	85		25 - 95		146302
	70-240	300	19.9	1	85		70 - 240		146301
	120-300	300	23.1	1	85		120 - 300		146297
U₀/U (U_m) 18/30 (36)kV - 19/33 (36)kV									
CHE-3I(A) 36kV	35-70	500	19.9	2	85			35 - 70	146158
	50-150	500	23.1	2	85			50 - 150	146159
	150-400	500	27.3	2	115			150 - 400	146160

Appropriate cable lugs must be ordered separately.
Type EGA earthing kit for cables with tape screen and armoring must be ordered separately.



CHE-3I(B)

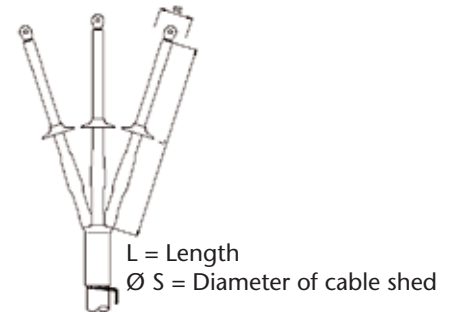
Three-core indoor termination

for all 3-core polymeric cables

Type CHE-3I(B) terminations are suitable for all three-core plastic-insulated cables (PVC, PE, XLPE, EPR) with different types of semi-conducting layers (graphite-coated or strippable) and screening (copper wire or tape).



Dimensions



Characteristics

- Flexible silicone stress control elements ensure reliable stress control under all operating conditions
- Combination of slip-on and heat-shrink components
- Wide cross-section range
- Quick, safe and easy assembly
- Ready for immediate operation

Application

- Indoor
- Note**
- Cable lugs not included
- 12 kV terminations must be used for 7.2 kV cables (Check minimum diameter over conductor insulation).

Storage conditions/Shelf life

- Unlimited shelf life
- Scope of delivery**
- Tracking resistant spreader cap
- Tracking-resistant heat-shrink tubing
- Silicone stress-control elements
- Silicone sheds
- Pressure spring
- Assembly accessories
- Sealing tape
- Assembly instructions

Tests

- CENELEC HD 629.1 (DIN VDE 0278, part 629-1)

Type	L mm	min. Ø over conductor insulation after removal of outer semi-conducting layer mm	Number of sheds per phase	Ø S mm	Nominal cross section mm ²				Art.-No.
					12kV	17.5kV	24kV	36kV	
U₀/U (U_m) 6/10 (12)kV - 6.35/11 (12)kV									
CHE-3I(B) 12kV	10-25	350	9.9		10 - 25				184796
	25-95	350	12.6		25 - 95				173134
	95-240	350	17.3		95 - 240				173132
	150-400	350	19.9		150 - 400				180522
U₀/U (U_m) 8.7/15 (17.5)kV									
CHE-3I(B) 17kV	25-50	400	12.6			25 - 50			182731
	70-240	400	17.3			70 - 240			182732
	150-300	400	19.9			150 - 300			182733
	185-400	400	23.1			185 - 400			182734
U₀/U (U_m) 12/20 (24)kV - 12.7/22 (24)kV									
CHE-3I(B) 24kV	10-35	500	12.6	1	85			10 - 35	184797
	25-95	500	17.3	1	85			25 - 95	184798
	70-240	500	19.9	1	85			70 - 240	184799
	120-400	500	23.1	1	85			120 - 400	184800
U₀/U (U_m) 18/30 (36)kV - 19/33 (36)kV									
CHE-3I(B) 36kV	35-70	650	19.9	2	85			35 - 70	184801
	50-150	650	23.1	2	85			50 - 150	184802
	150-400	650	27.3	2	115			150 - 400	184803

Appropriate cable lugs must be ordered separately.
 Type EGA earthing kit for cables with tape screen must be ordered separately.